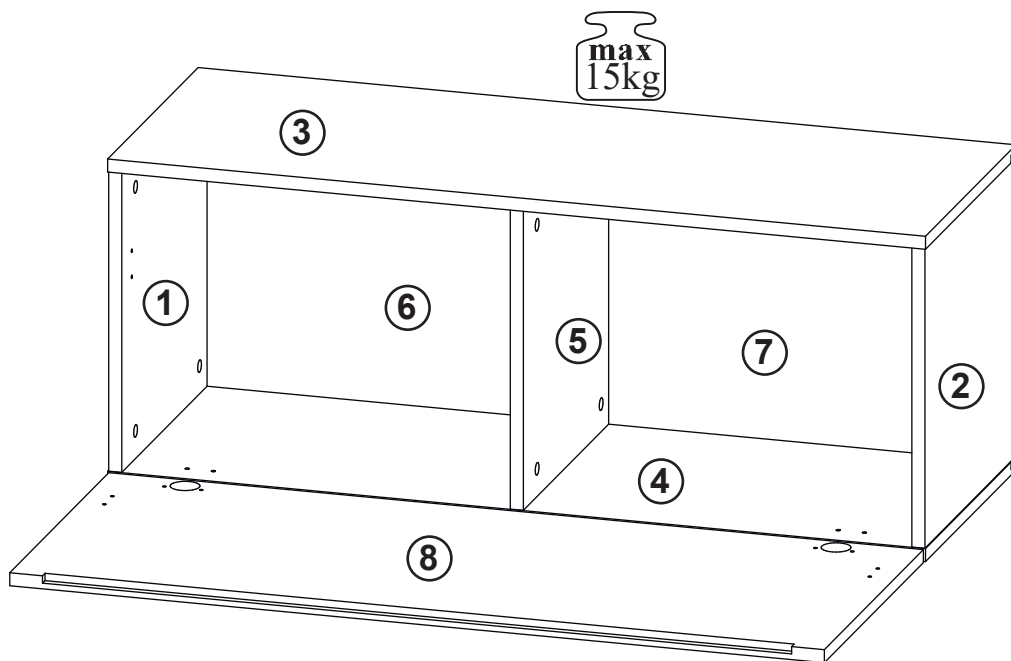
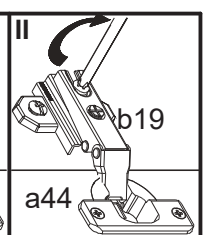
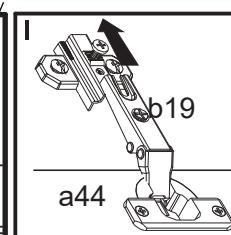
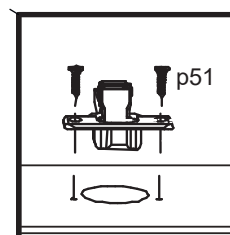
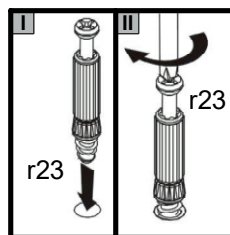
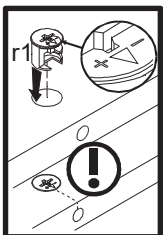
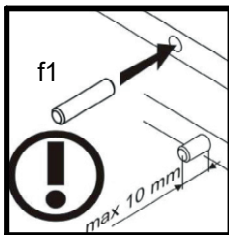
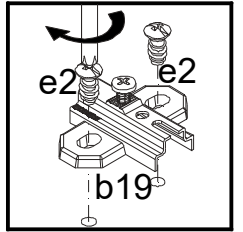
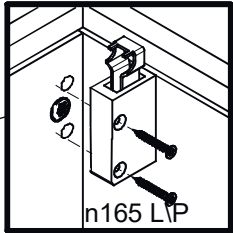
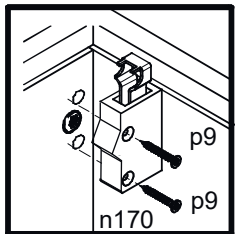
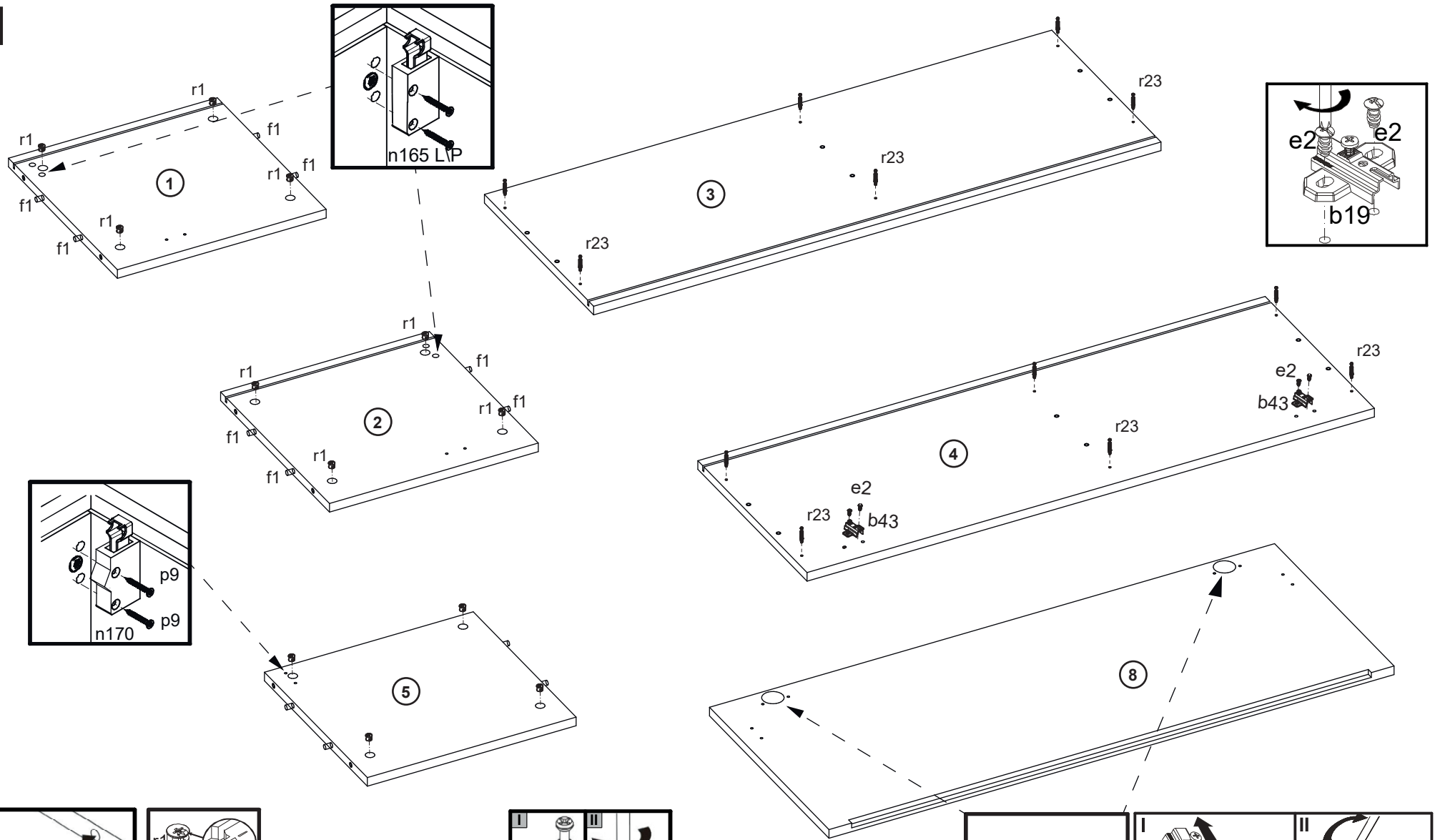


- |                  |                  |                |               |                    |                         |                |               |               |                           |                            |                           |                           |              |
|------------------|------------------|----------------|---------------|--------------------|-------------------------|----------------|---------------|---------------|---------------------------|----------------------------|---------------------------|---------------------------|--------------|
| 1x<br><br>n165/P | 1x<br><br>n165/L | 3x<br><br>b3   | 12x<br><br>l2 | 2x<br><br>L-236 m3 | 2x<br><br>phi4x30 mm p9 | 1x<br><br>n170 | 2x<br><br>a44 | 2x<br><br>b19 | 1x<br><br>LED (opcja) o1* | 4x<br><br>phi3,5x16 mm p51 | 15x<br><br>phi3x16 mm p55 | 4x<br><br>phi6,3x13 mm e2 | 3x<br><br>J1 |
| 12x<br><br>s2    | 12x<br><br>r1    | 12x<br><br>r23 | 12x<br><br>f1 |                    |                         |                |               |               |                           |                            |                           |                           |              |

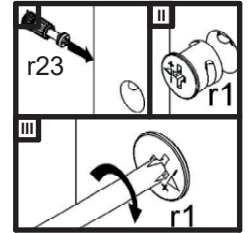
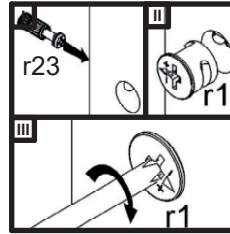
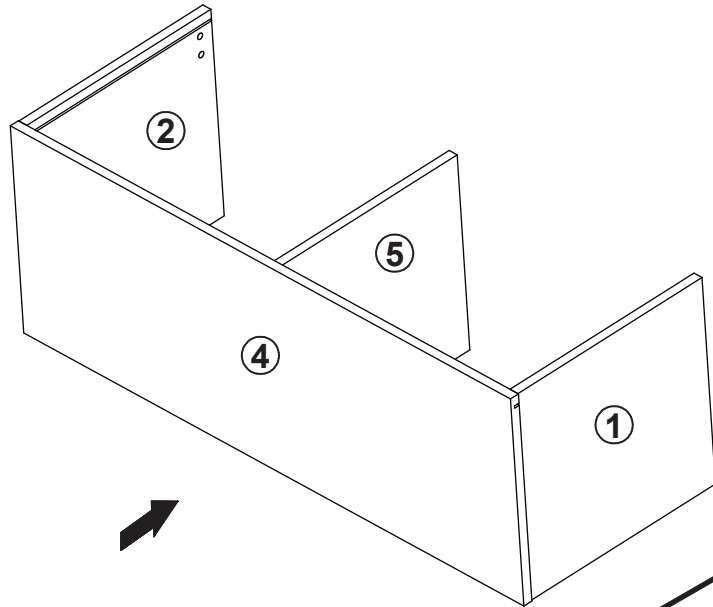


A	B	C	(mm)	Colli
1	001	368	361	1/1
2	002	368	361	1/1
3	003	1000	362	1/1
4	004	1000	362	1/1
5	005	368	341	1/1
6	006	382	490	1/1
7	007	382	490	1/1
8	008	996	396	1/1

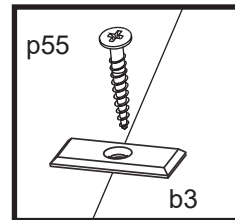
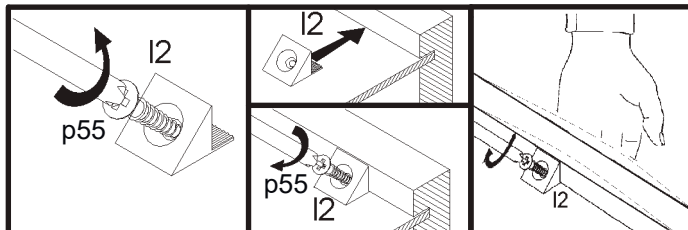
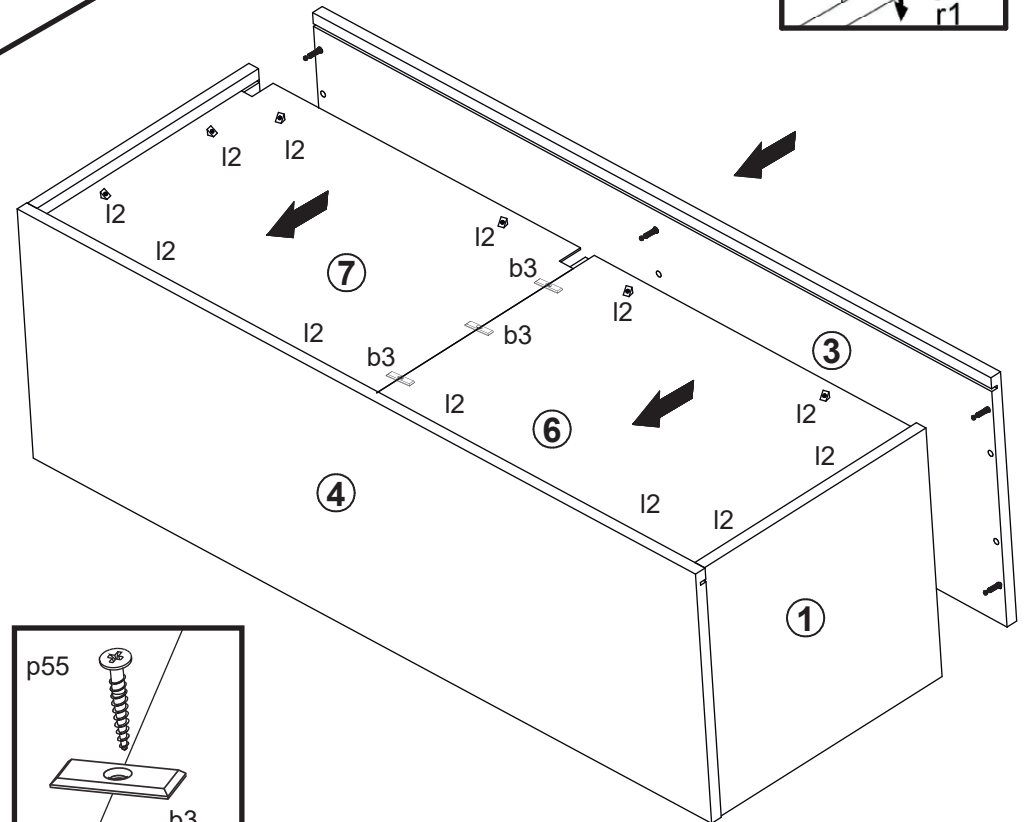
1



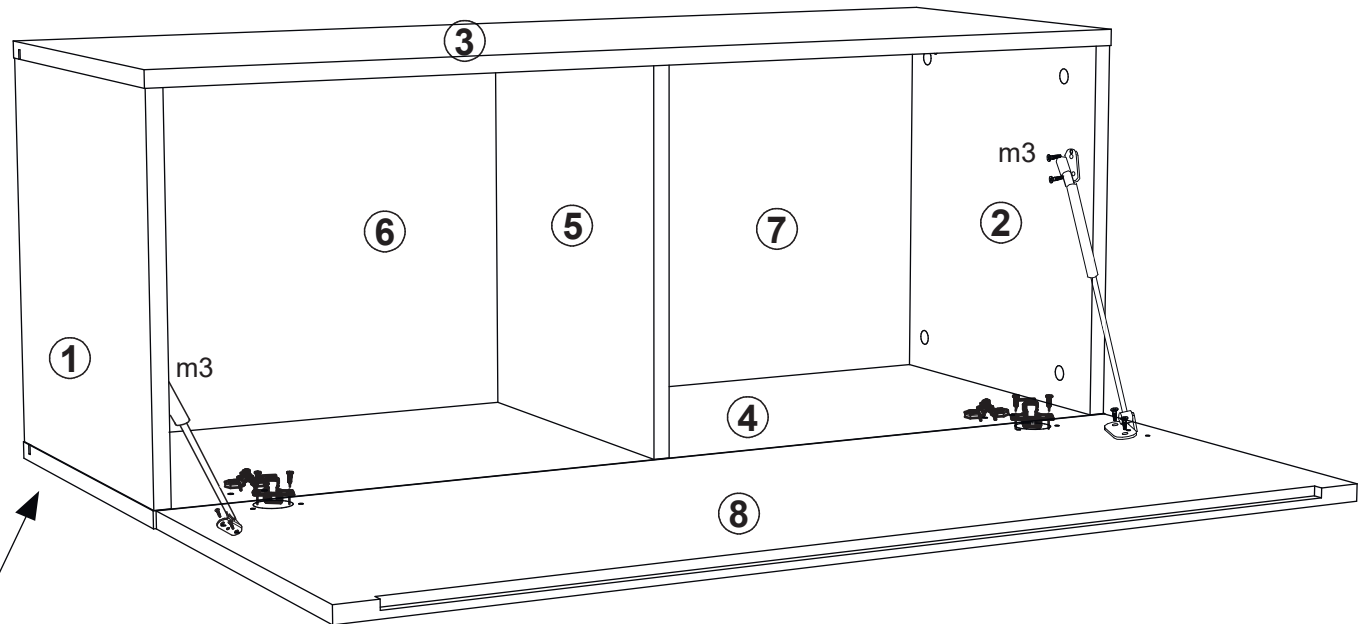
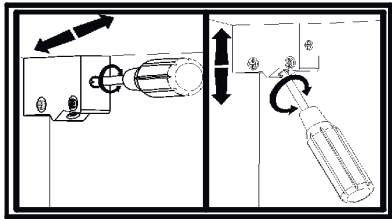
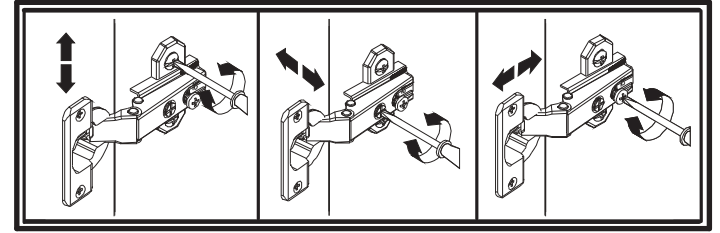
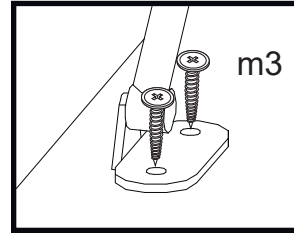
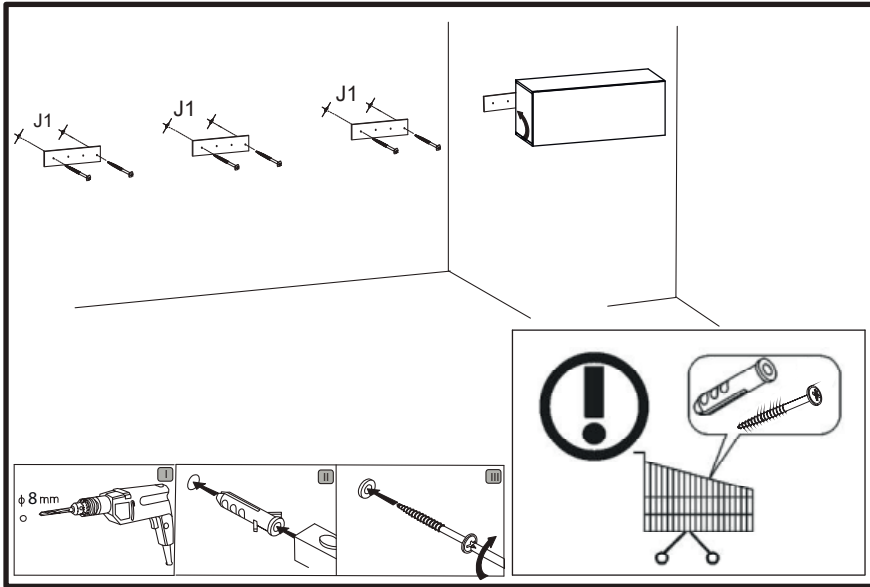
2



3



4



LED (opcja) 01\*