

- | | | | | | | | | | | | | | | |
|------------------|------------------|--------------------------|--------------|--------------|---------------|---------------|---------------|---------------|--------------|-----------------------|------------------------|--------------------------|---------------------|-----------------------|
| 2x

n165/P | 2x

n165/L | 4x

φ3.5x16 mm p51 | 4x

I2 | 2x

J1 | 1x

a45 | 1x

b20 | 2x

a44 | 2x

b19 | 8x

s2 | 8x

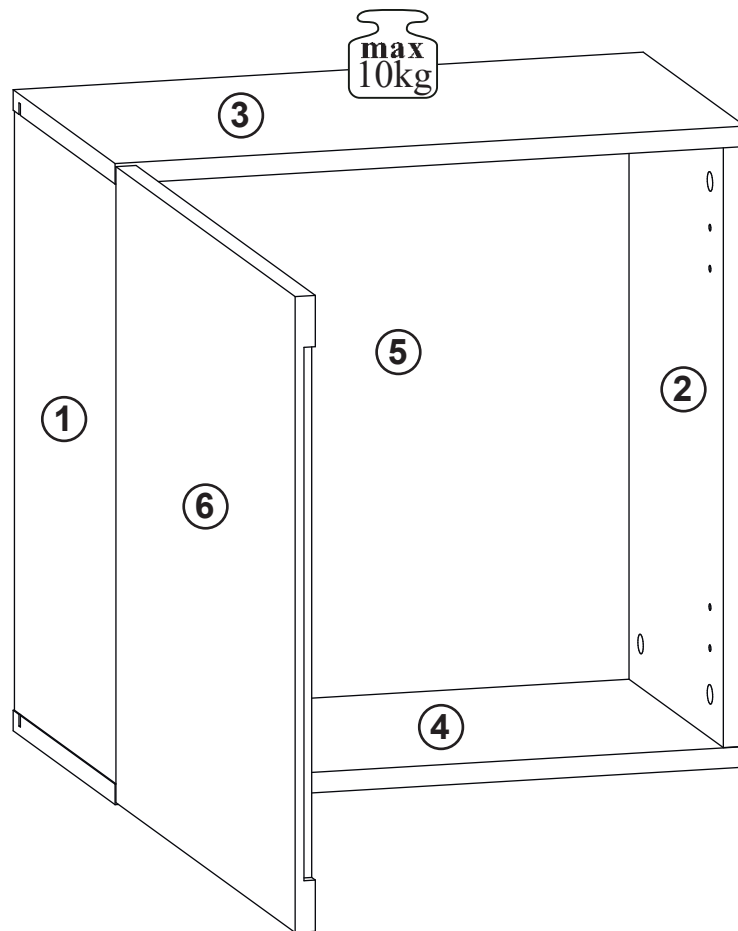
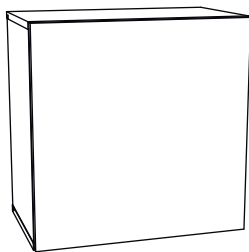
φ15x12mm r1 | 4x

φ3x16 mm p55 | 4x

φ 6.3x13 mm e2 | 8x

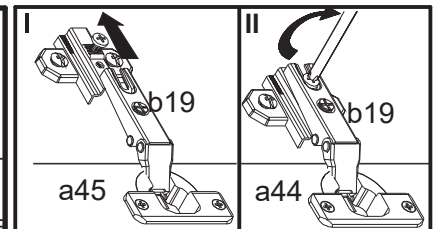
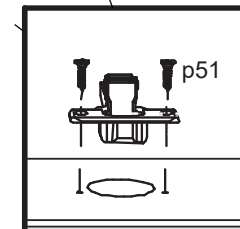
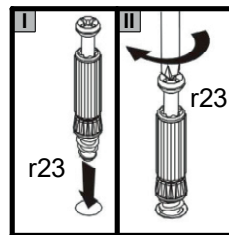
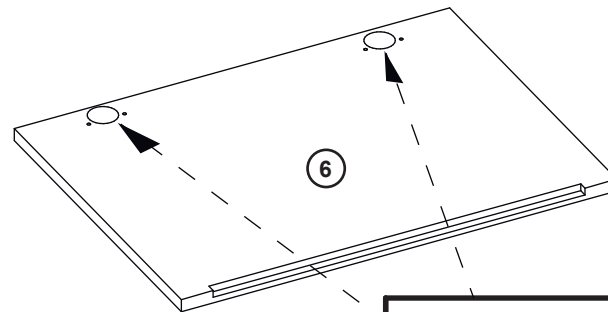
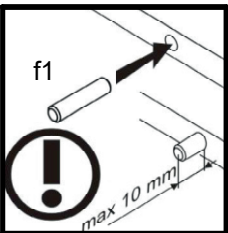
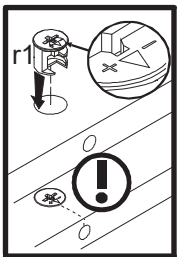
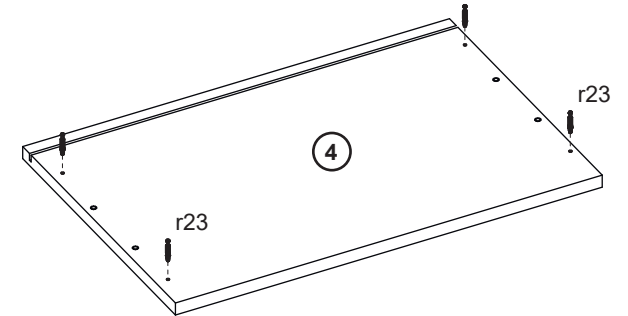
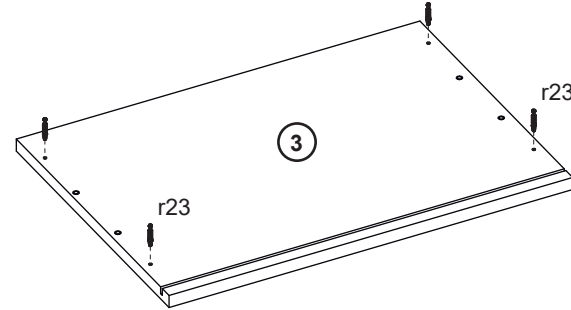
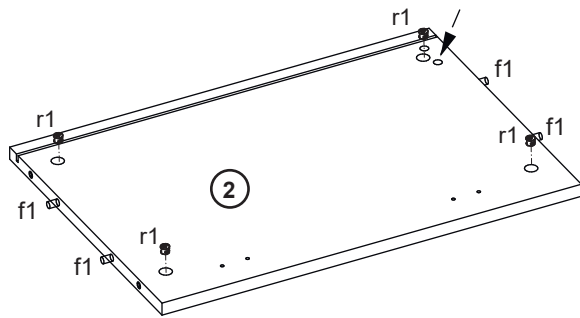
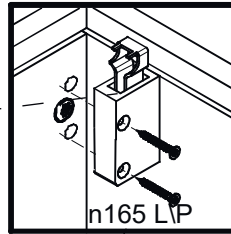
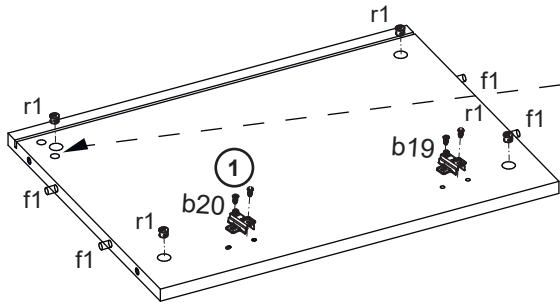
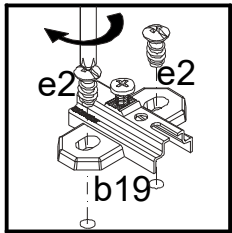
30/11 r23 | 8x

φ8x30 mm f1 |
|------------------|------------------|--------------------------|--------------|--------------|---------------|---------------|---------------|---------------|--------------|-----------------------|------------------------|--------------------------|---------------------|-----------------------|

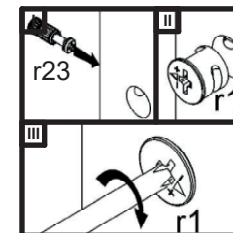
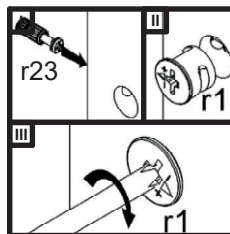
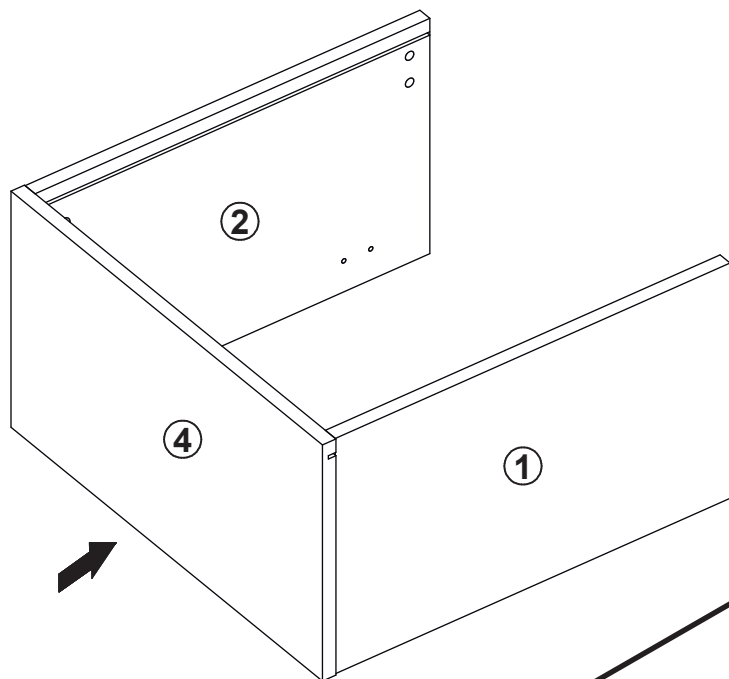


A	B	C	(mm)	Colli
1	001	468	281	1/1
2	002	468	281	1/1
3	003	500	282	1/1
4	004	500	282	1/1
5	005	482	480	1/1
6	006	496	496	1/1

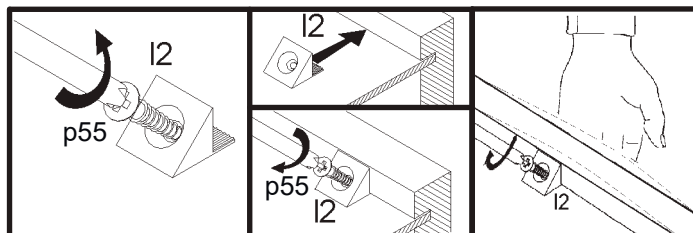
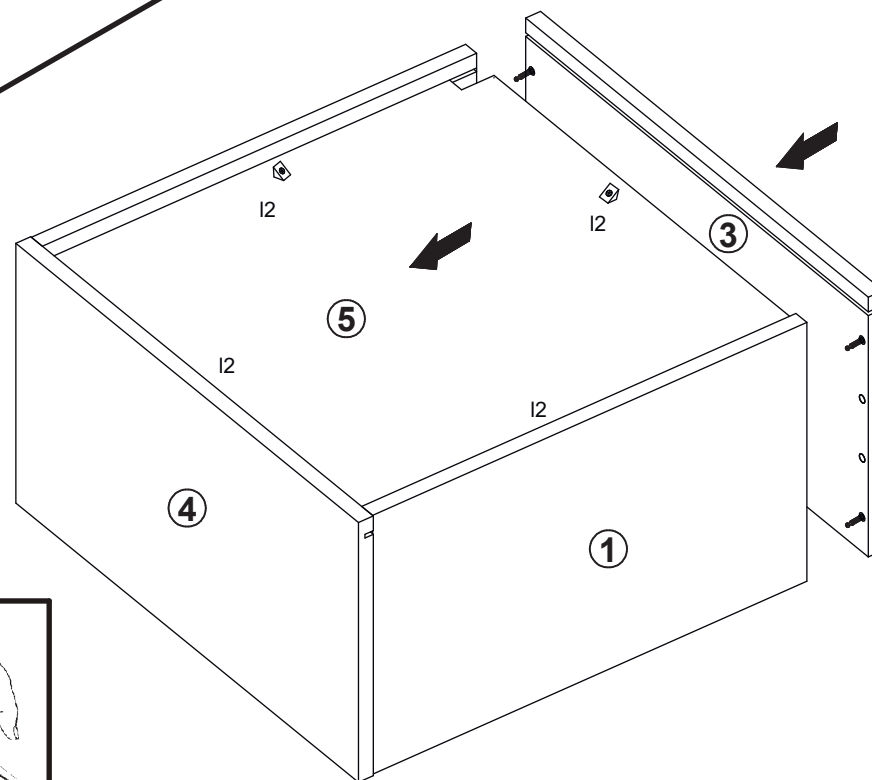
1



2



3



4

